

ATEX ACCESSORIES

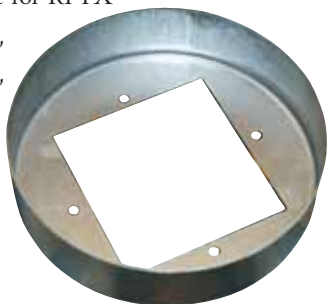
for ATEX-certified fans

OUTLET FLANGES

Outlet flanges for RFTX for connection to circular duct.

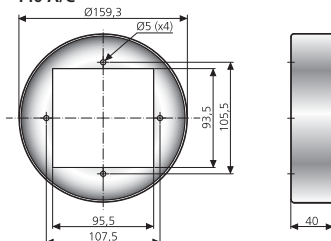
Available for RFTX

140 A/C,
160 A/C,
200 A/B
and
200 C.

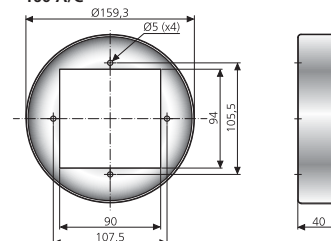


DIMENSIONS (mm)

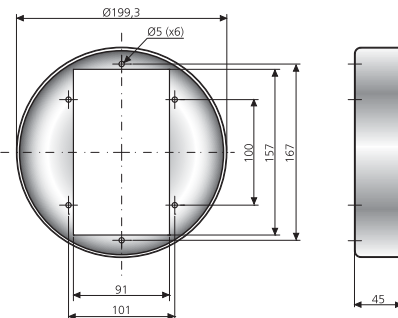
140 A/C



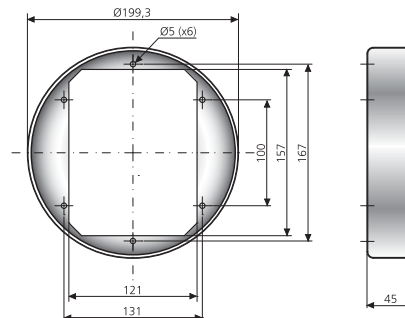
160 A/C



200 A/B



200 C

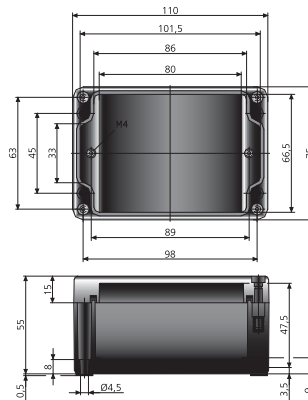


JUNCTION BOX ATEX, A21-E1-01106

ATEX-approved junction box for RFX in black fibreglass-reinforced polyester casing.



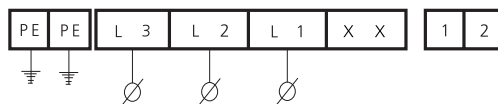
DIMENSIONS (mm)



TECHNICAL DATA

Ex. II 2 G/D, Ex. e II T6, Ex. tD A21 IP65 T80°C	
Type of certification	TPS 07 ATEX 61951 1
Rated voltage	550 V
Rated current	6 A
Temperature range	-40- +60°C
Insulation class	IP 65
Max. number of terminals	10 x 2.5 mm ²

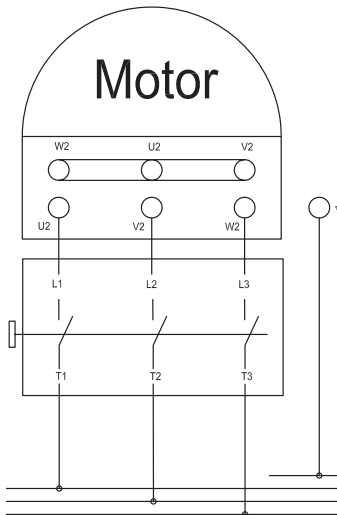
WIRING DIAGRAM



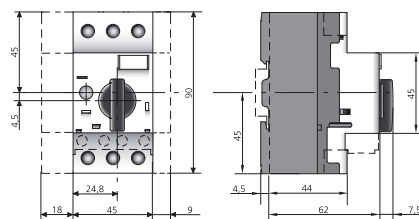
ATEX ACCESSORIES

for ATEX-certified fans

WIRING DIAGRAM



DIMENSIONS (mm)



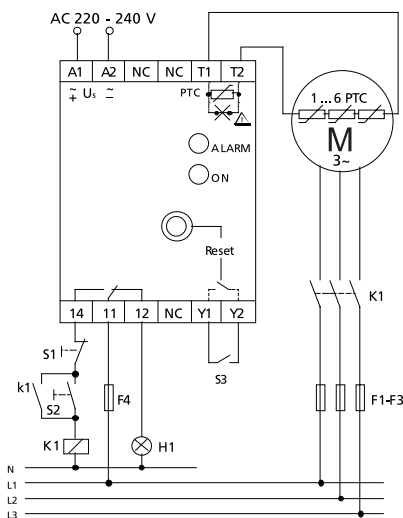
MOTOR PROTECTOR, 140M

Motor protector specifically designed for the ATEX-certified RFTX radial fan. It protects motors, transformers, machinery and equipment against overload. The motor protector is available in two sizes.

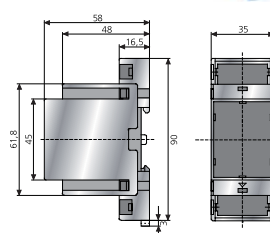
TECHNICAL DATA

Ex II (2) G, ATEX 3039	
Current range	0.4 - 0.63 A/0.63 - 1.0 A
Voltage	AC 220-240 V
Frequency	50/60 Hz
Max current	8.2/13 A
Temperature range	-25+60°C
Insulation class	IP 20

WIRING DIAGRAM



DIMENSIONS (mm)



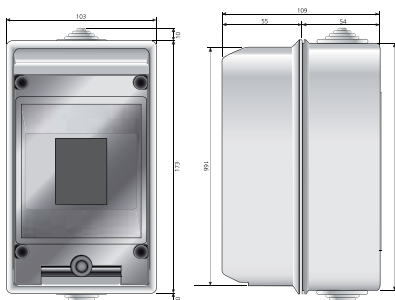
THERMAL CONTACT RELAY, U-EK230E

Thermal contact relay specifically designed for the ATEX-certified RKX duct fan. It protects motors, transformers, machinery and equipment against overload.

TECHNICAL DATA

Ex II (2) G, ATEX 3045	
Voltage	AC 220-240 V
Frequency	50/60 Hz
Max current	6 A
Breaking capacity	3 A AC15 250 V
Temperature range	-20+55°C
Insulation class	IP 20

DIMENSIONS (mm)



ENCLOSURE

This enclosure is made of fibreglass-reinforced polyester and fits the thermal contact relay U-EK230 E.

This enclosure enables the U-EK 230 E to be used in an IP54 environment.